

# NanoPi A64

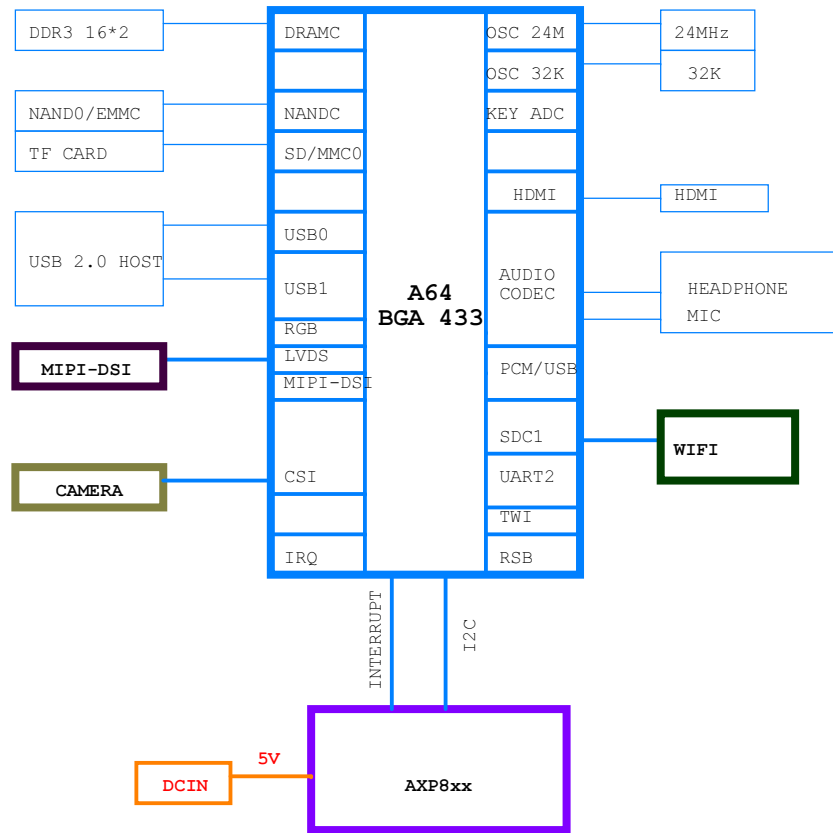
Revision

1610 , First Release

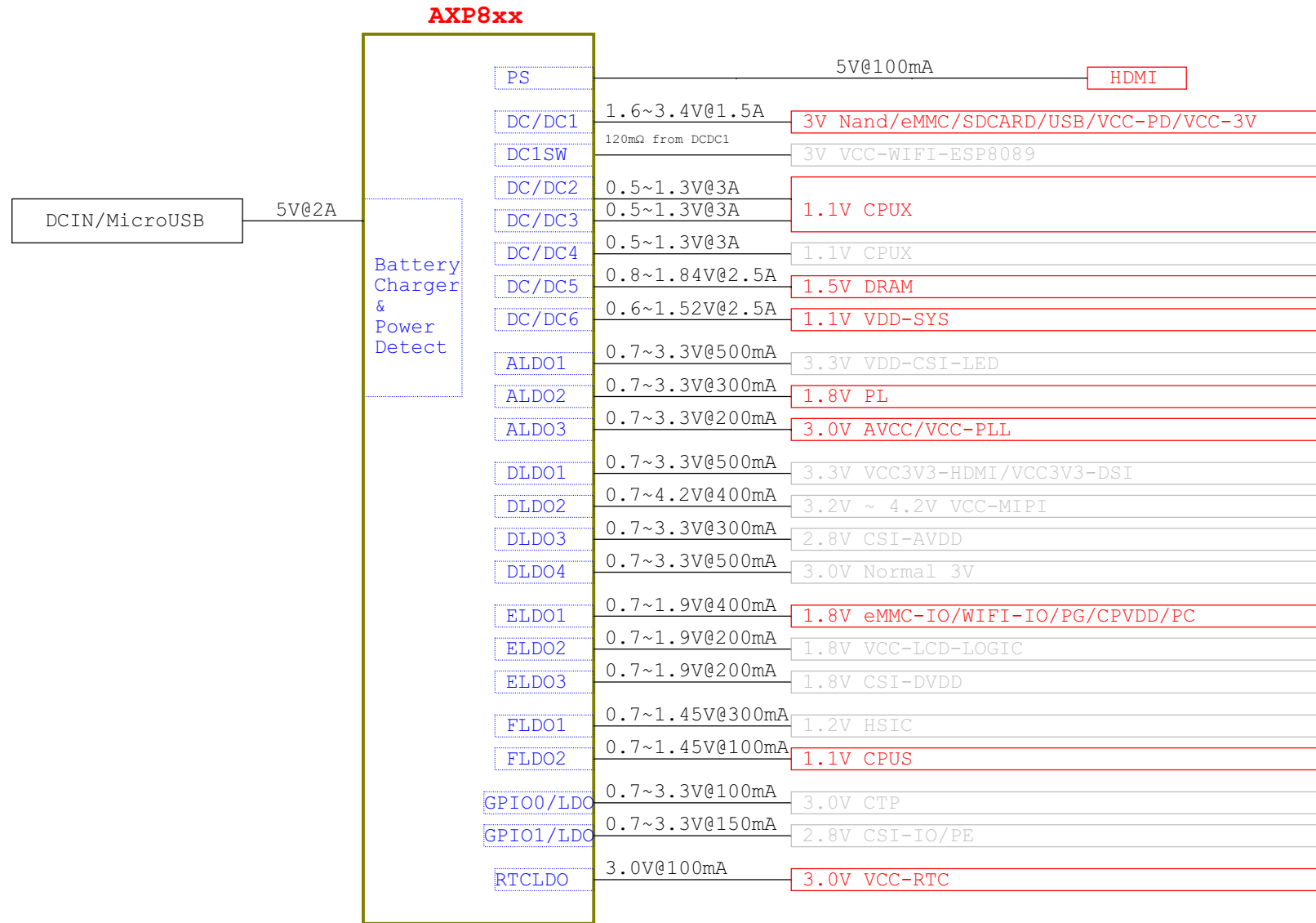


NanoPi-A64		
Size A3	Document Number Title	Rev 1610
Date:	Thursday, December 15, 2016	Sheet 1 of 15

# BLOCK DIAGRAM



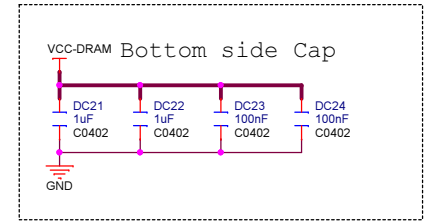
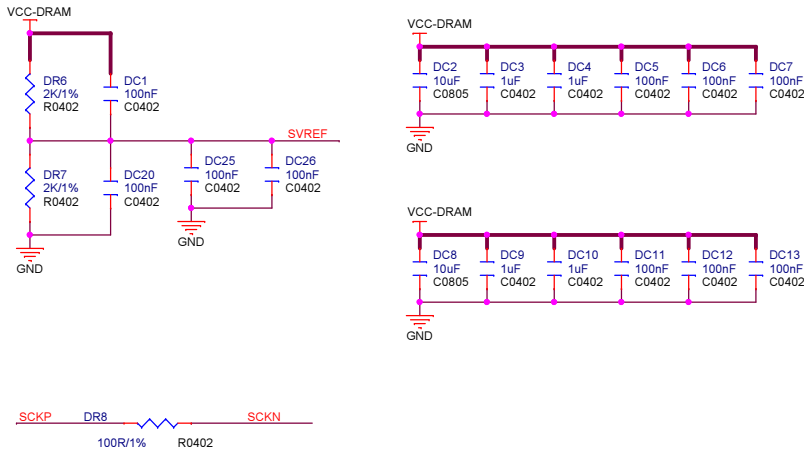
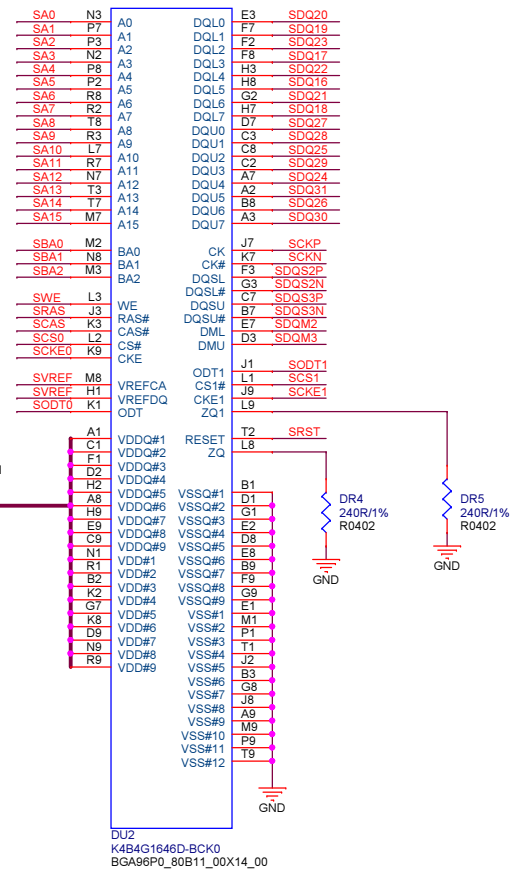
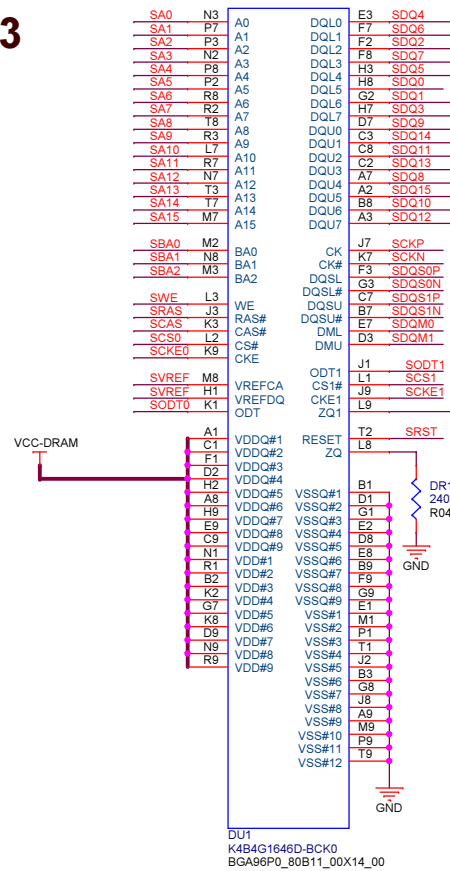
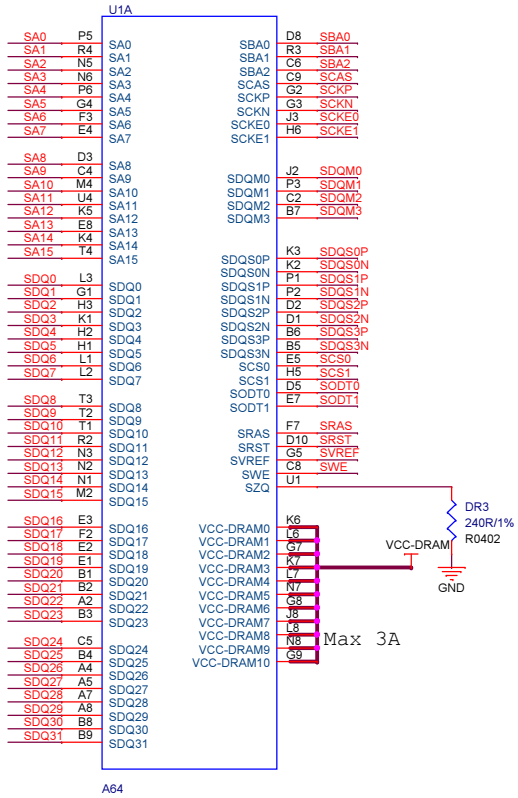
# POWER TREE

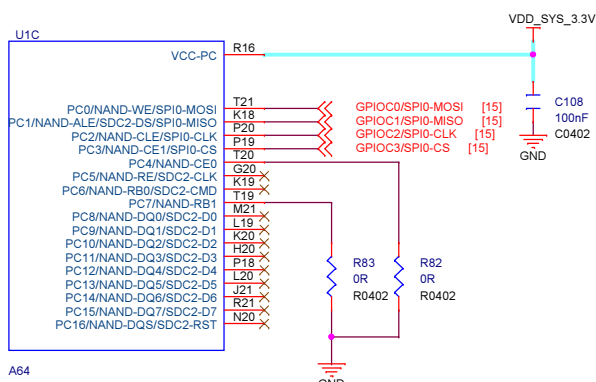
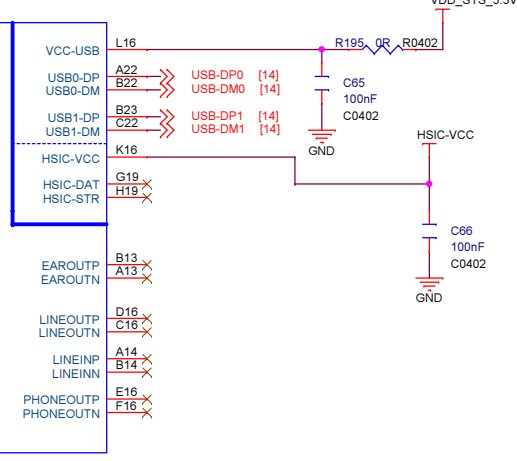
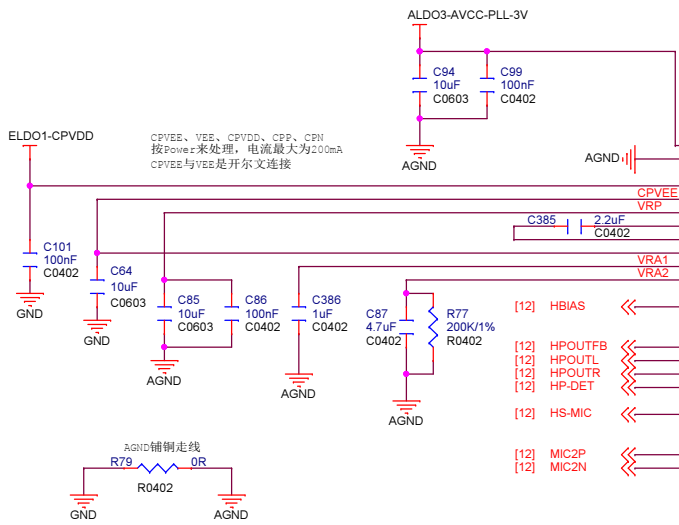
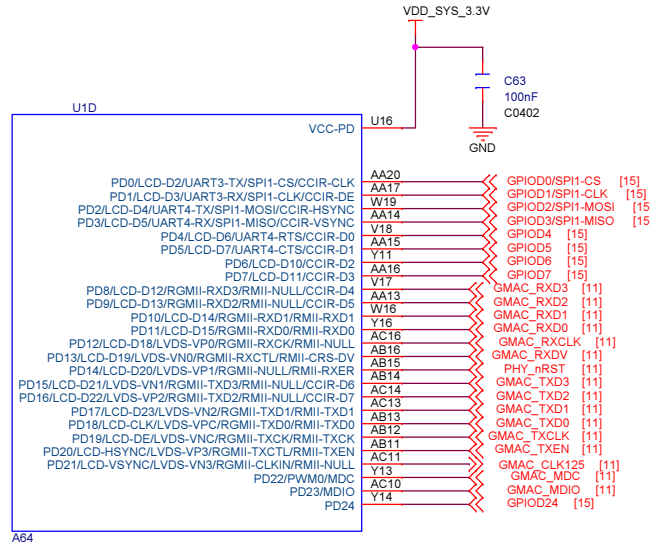
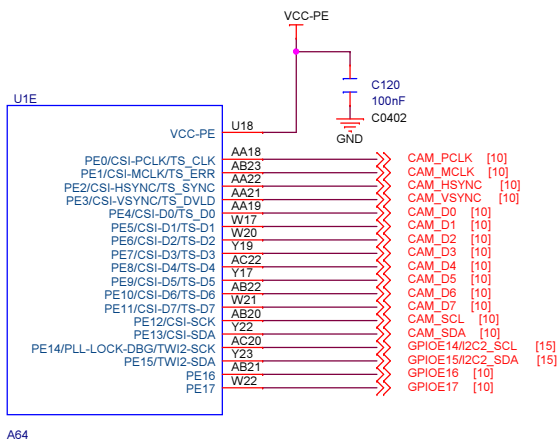
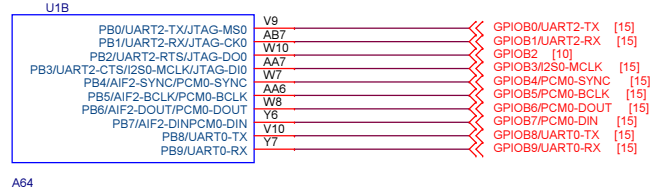
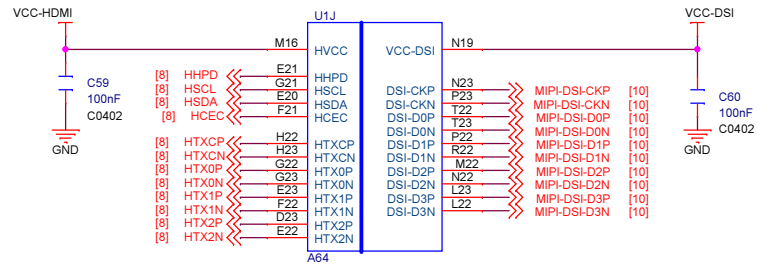


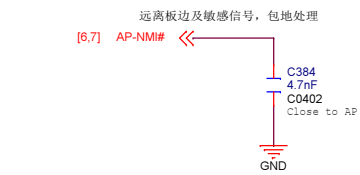
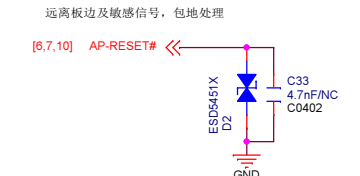
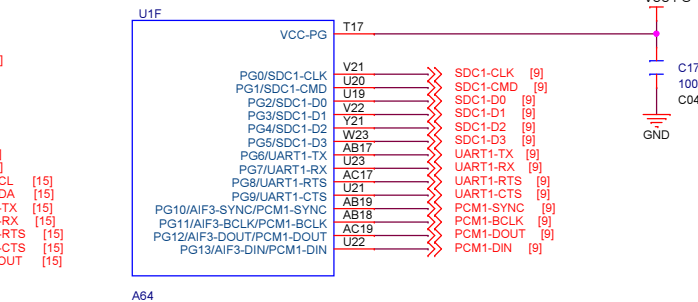
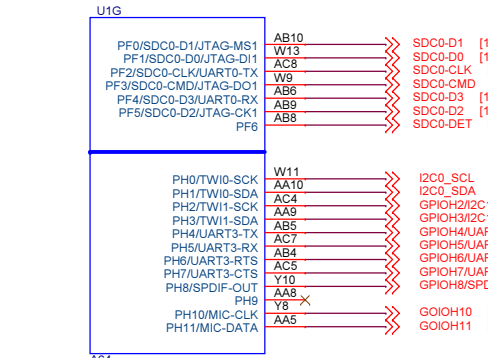
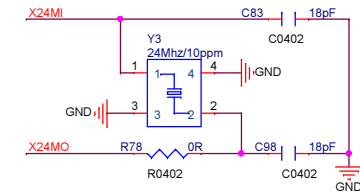
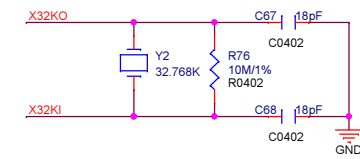
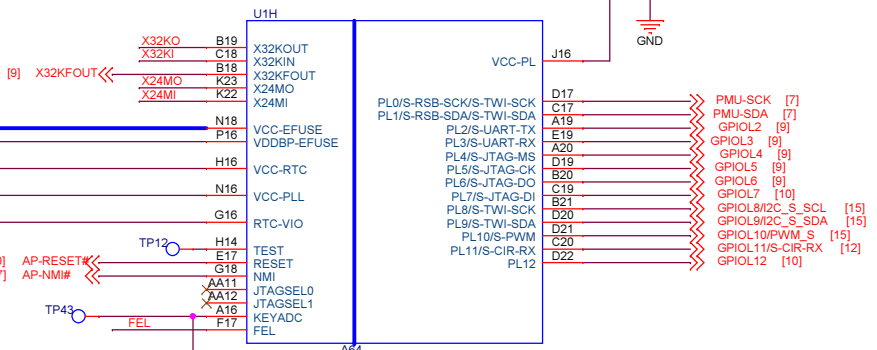
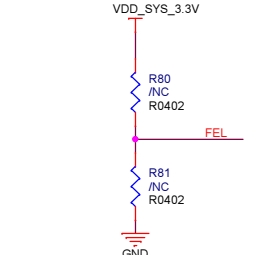
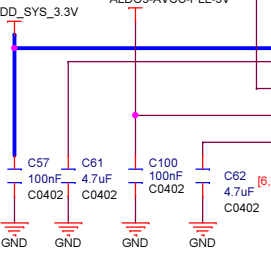
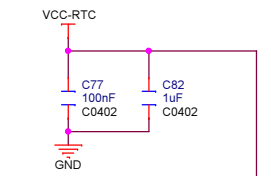
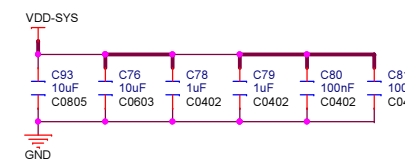
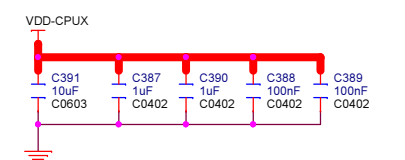
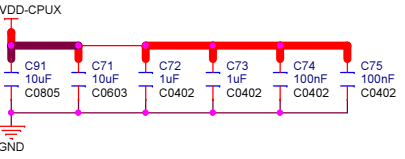
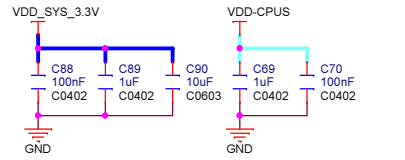
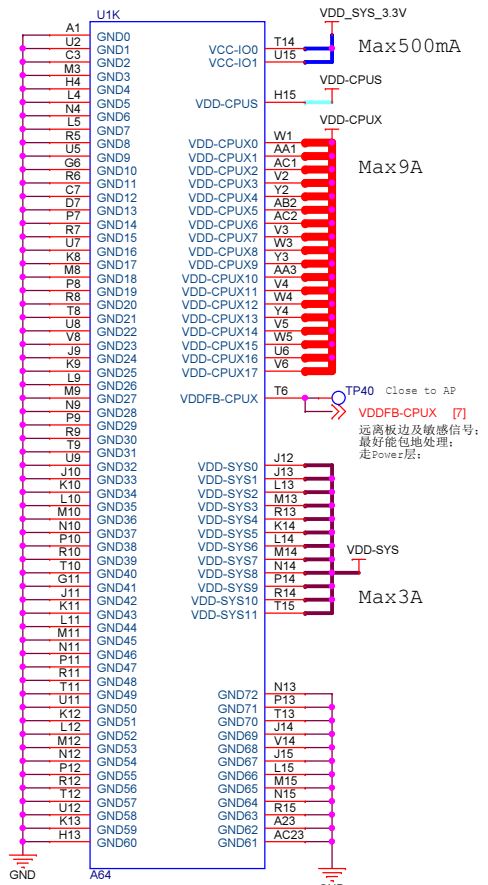
灰色：上电默认关  
红色：上电默认开



# DDR3

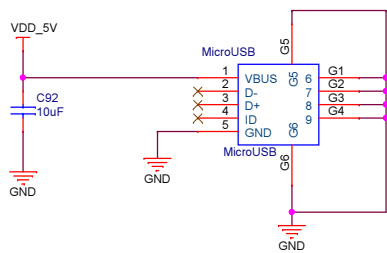
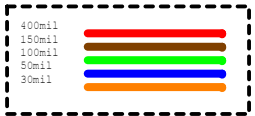
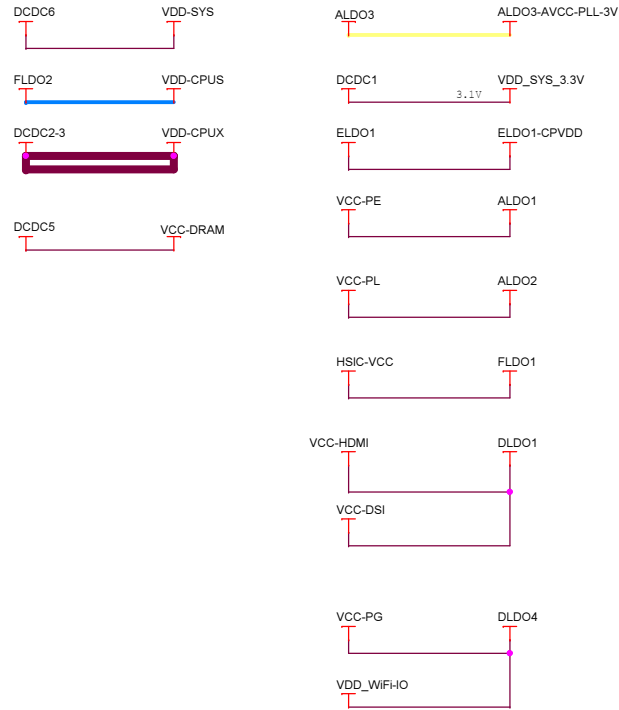




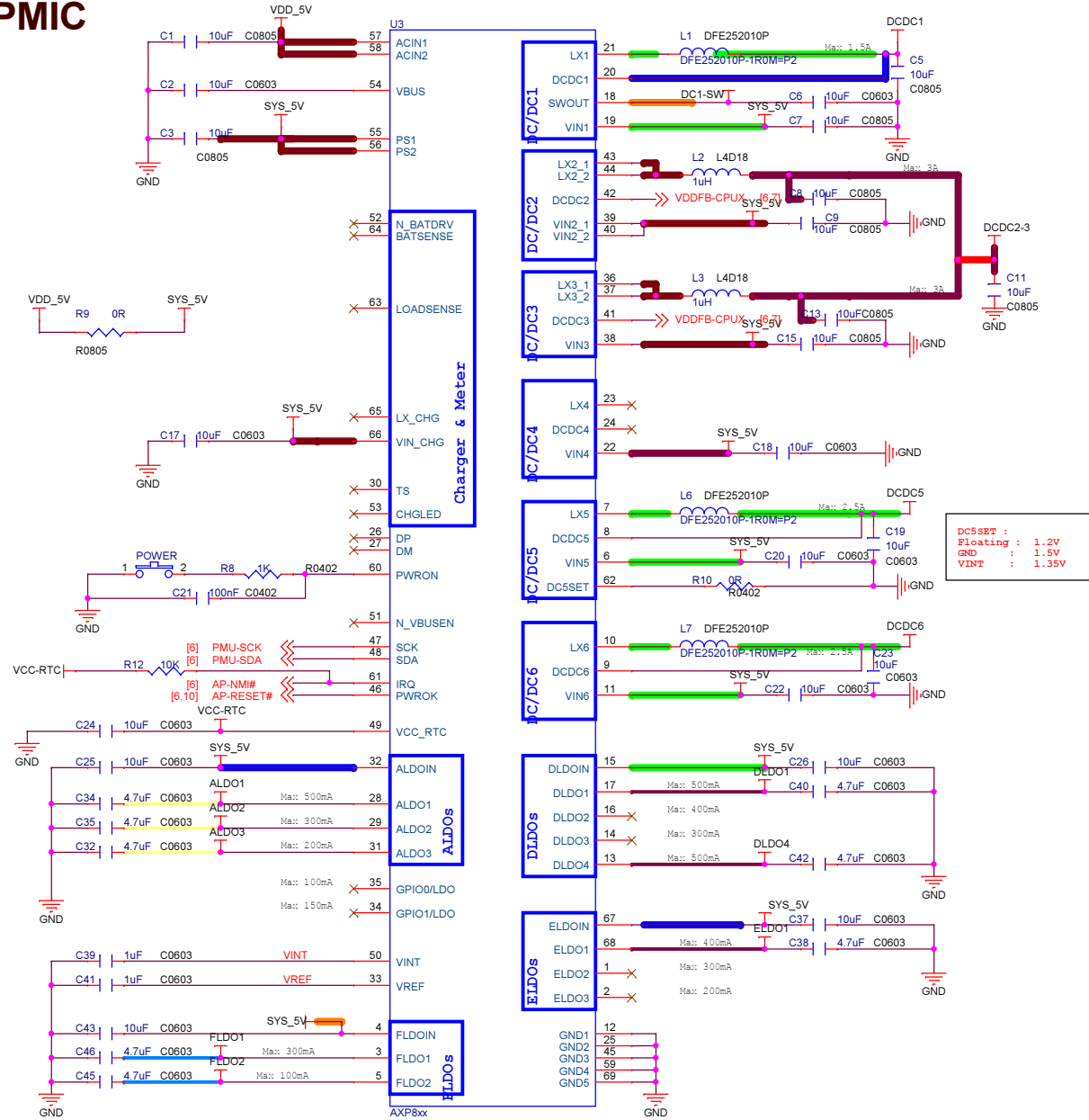


NanoPi-A64		
Size	Document Number	Rev
A3	A64-POWER/CLK/MMC	1610
Date:	Thursday, December 15, 2016	Sheet 6 of 15

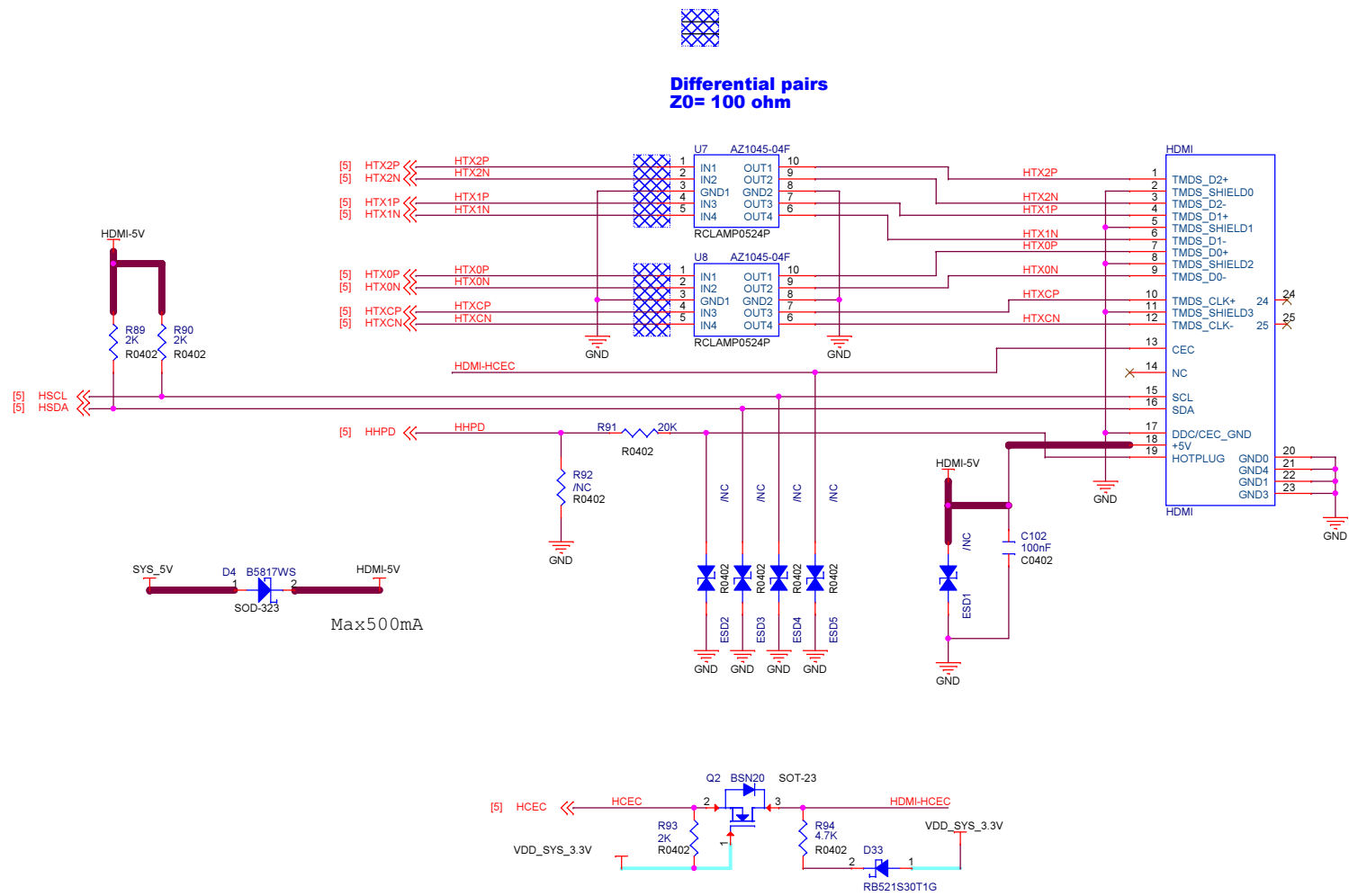
# POWER



# PMIC

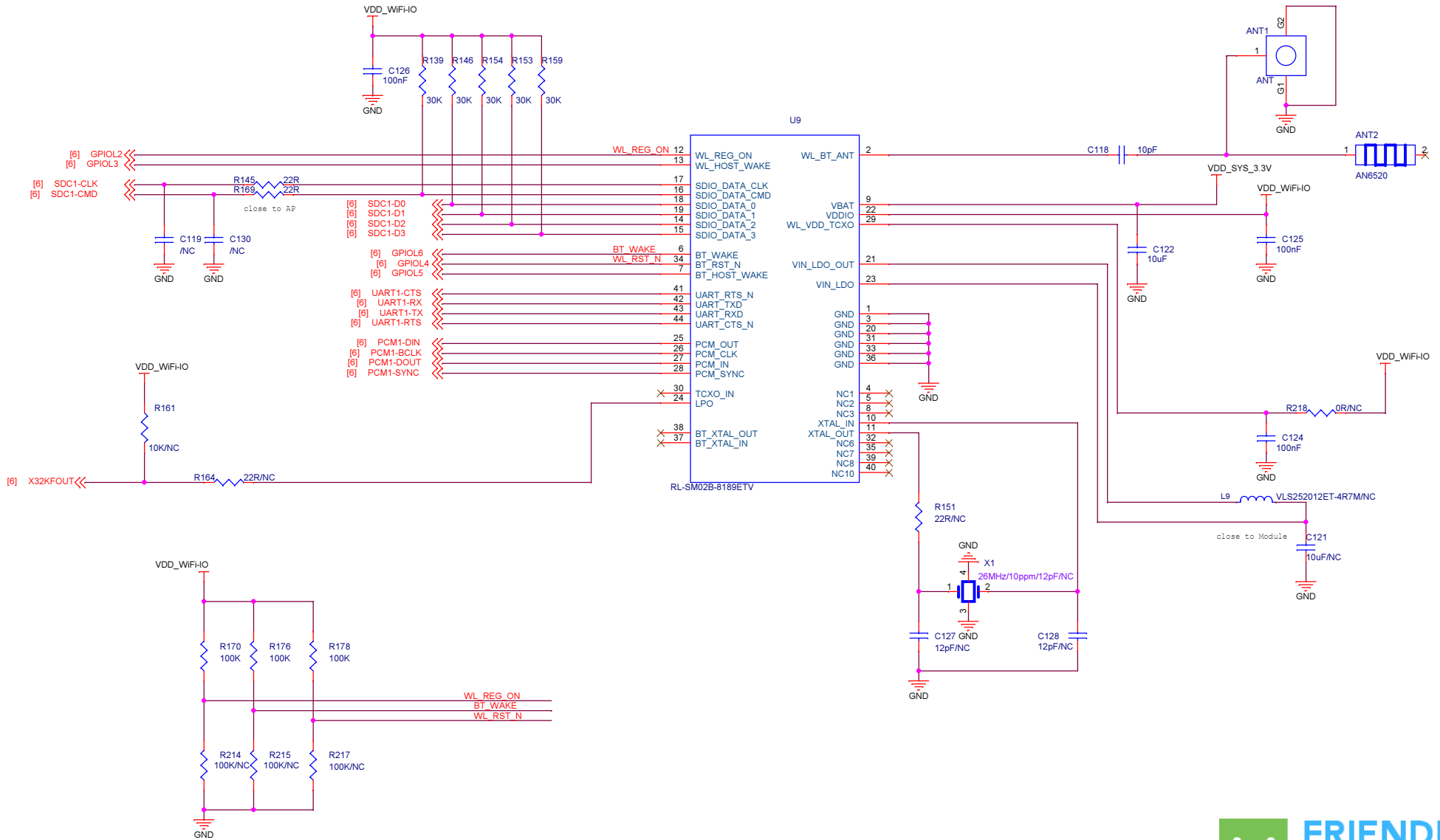


# HDMI

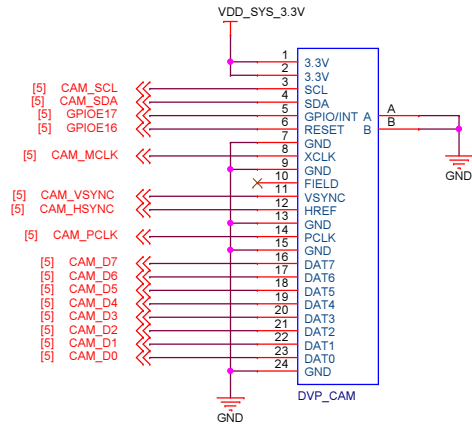




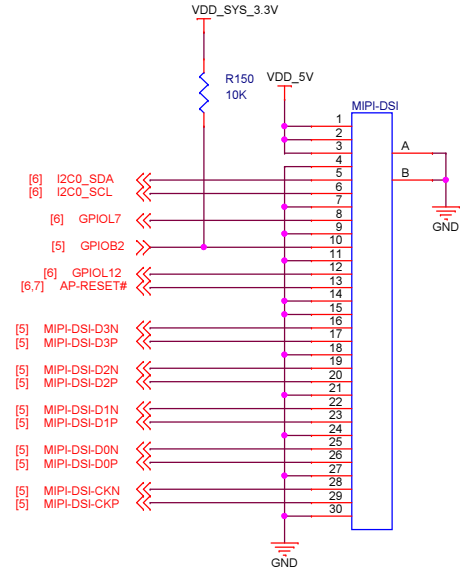
# Wi-Fi



# Video Interface



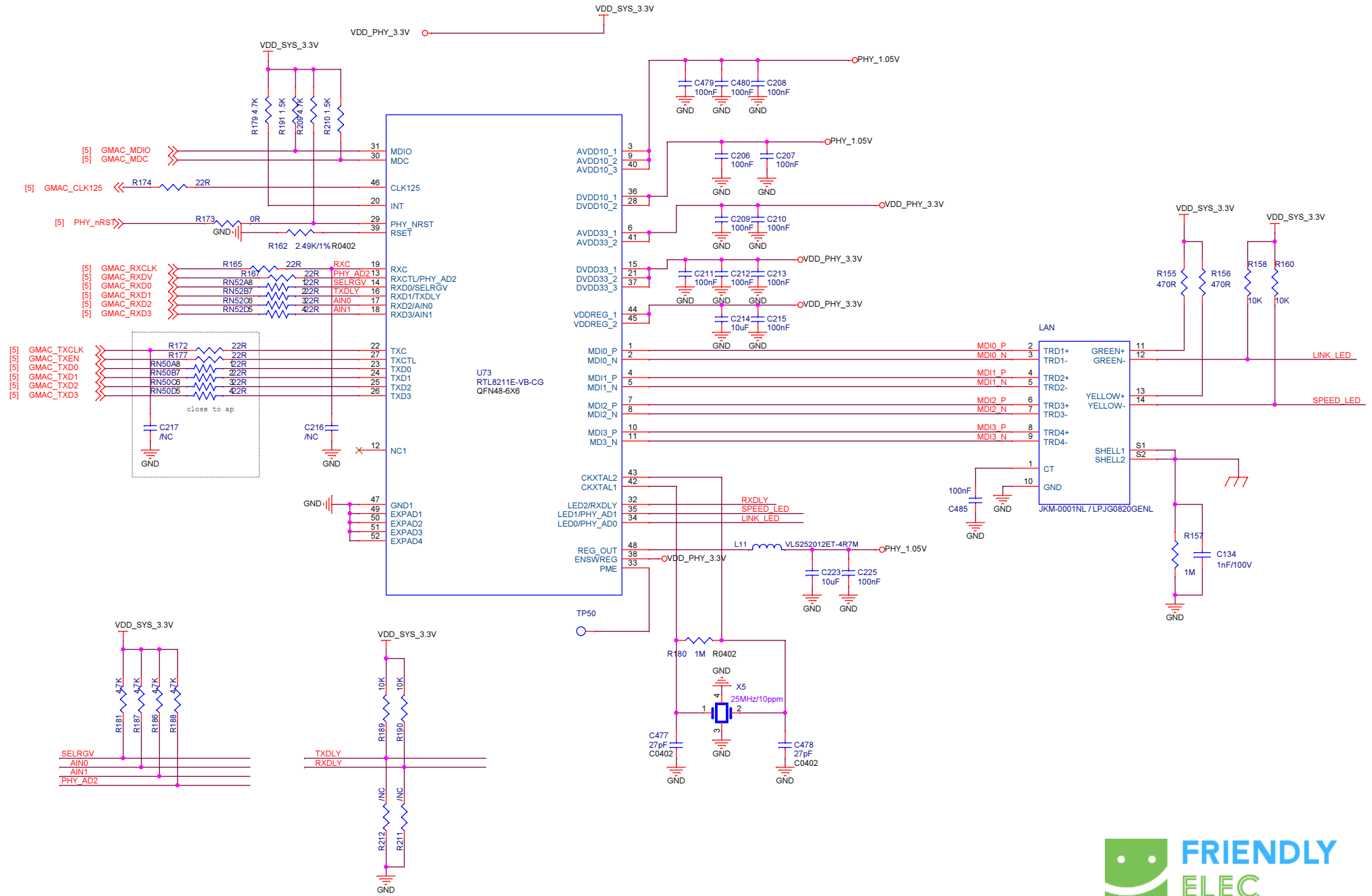
Camera Interface



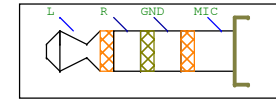
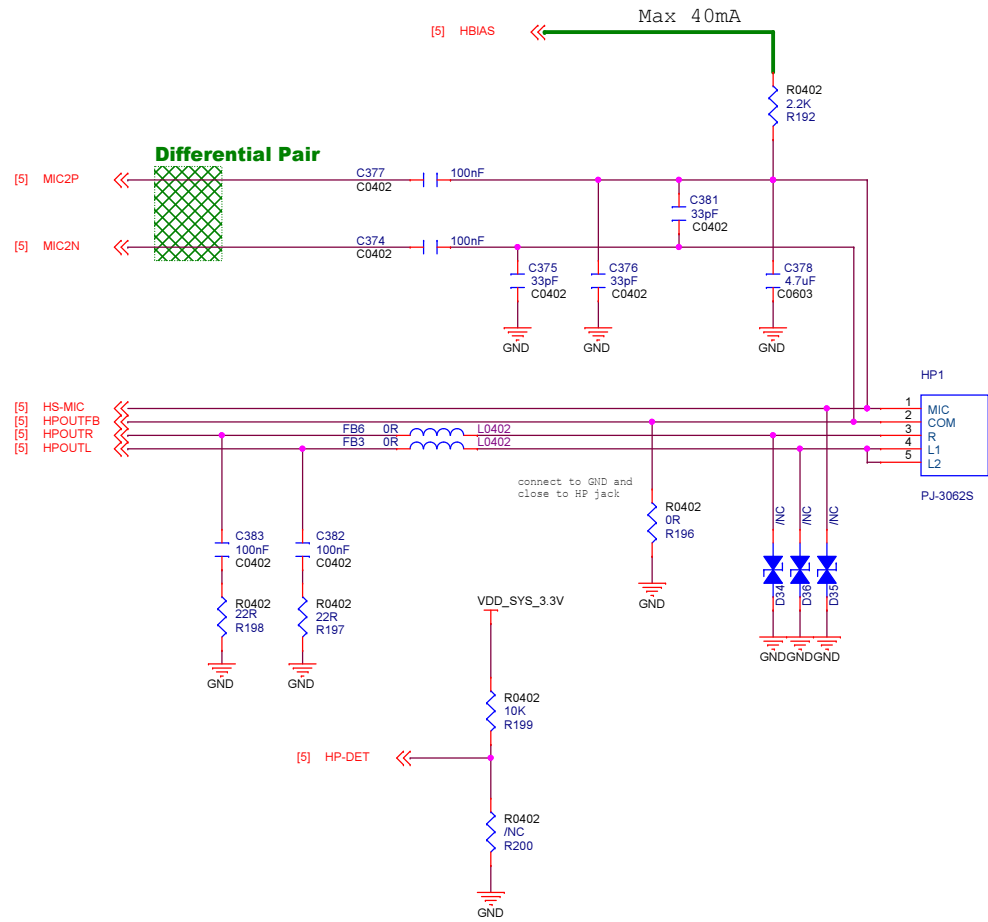
Display Interface



# 10/100/1000M Ethernet

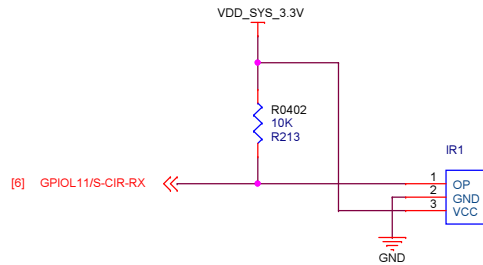


# HP\_JACK

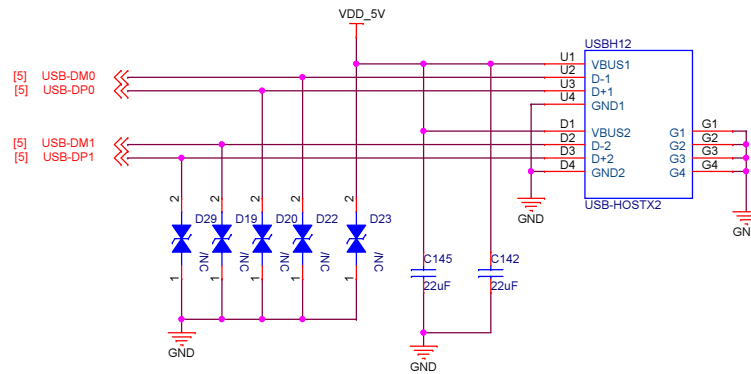
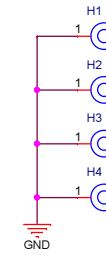
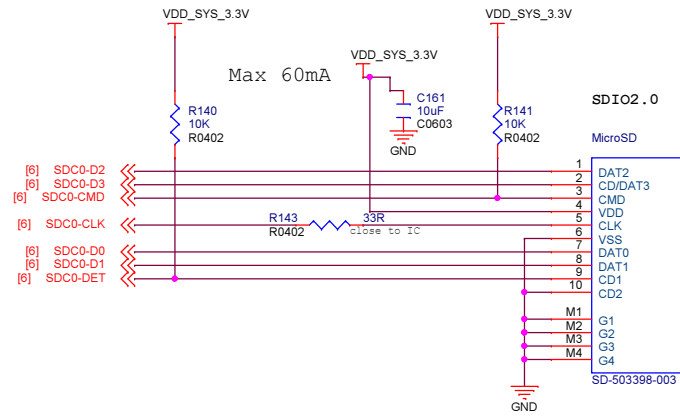


iPhone,SAMSUNG: L+R+G+M

# IR Reciver



# MicroSD/USB



# GPIO/I2S

